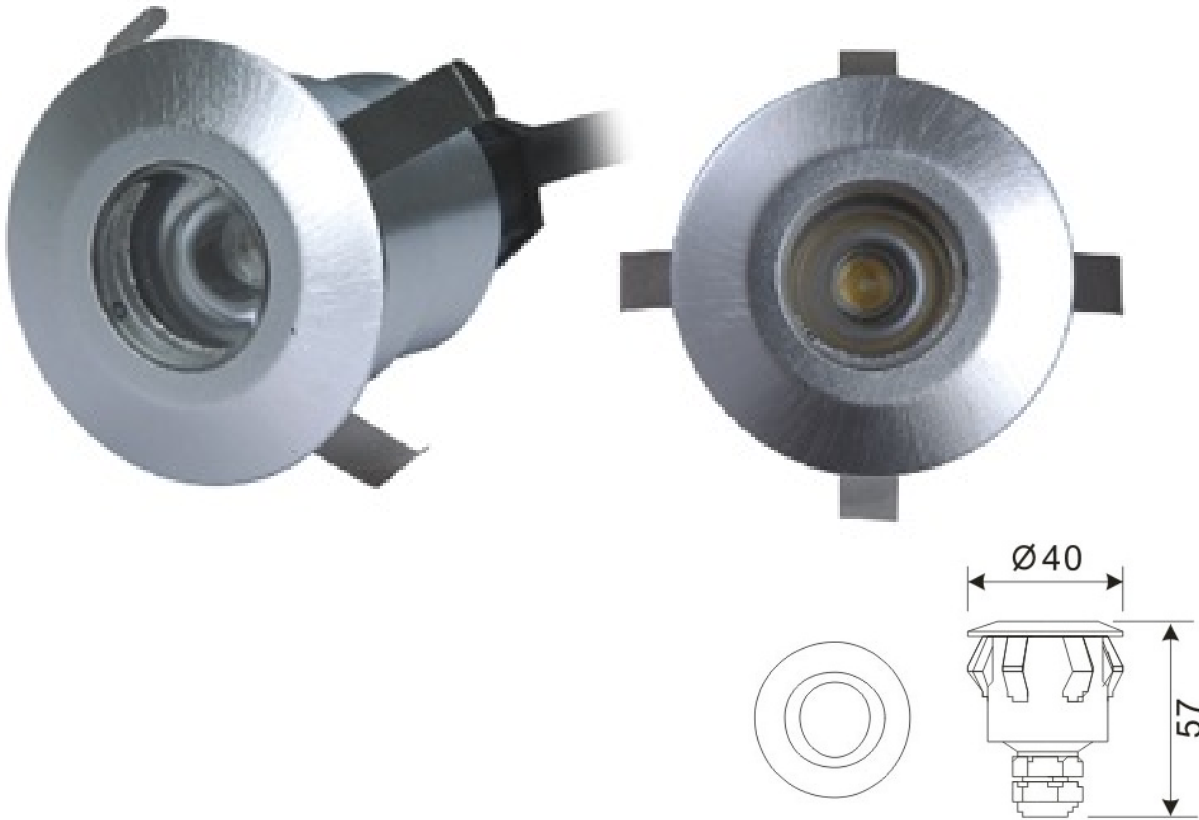


LED Recessed Lighting – LR-R00116



Model No.	LR-R00116
LED Type	CREE XP
LED Q'TY.	1
Beam Angle	30°
Minimum luminous flux(lm)	90
Voltage	12V AC/DC
LED Watt	1W
Environmental Temperature	- 20°C~60°C
Environmental Humidity	0%-95%
Safety Class	III
Safety Type	IP65
Material	Aluminium
Driver	Excluded

For more information
www.ledrays.com